

Giant

2000m³h@Hood (with arm 2030P)

Spark Trap

Large Wheels

Double Cartridges

Swivel Castors

Manual Pulse Clean

Arm Diameter: 160mm, 200mm

Arm Lengths: 2m, 3m, 4m



Portable air cleaner for capturing:

- **WELDING FUMES**
- **GRINDING DUSTS**
- **DRY DUSTS**
- **SOLDERING DUSTS**
- **POWDERS**

and many more...

Filtering Unit Giant

Oskar's portable Filtering unit GIANT is designed to capture and filter dry impurities arising during welding, grinding, polishing, cutting of metals and plastics. The Standard filters are not designed for filtering of air from corrosive, caustic or explosive gases and dusts. The GIANT consists of: an outer powder coated steel housing, 2 spun bond polyester filters, fan impeller, 2,2 kW motor (all voltages), thermal overload motor starter, compressed air cleaning system, waste drawer, self supporting fume arm mounting section for either 1 or 2 of 160mm fume arms or 1 of 200mm fume arm. There is a 3-stage filtration system consisting of metal mesh pre-filter, 2 Spun bond polyester cartridges and at the outlet there is a carbon after filter. The compressed air cleaning system is made up of a certified compressed air tank, safety valve, solenoid and diaphragm valve designed for the thorough cleaning of the cartridges. A heavy duty on/off starter with thermal overload protection allows for the safe start up of the unit. There are 4 wheels making the movement of the Giant easy and the large rear ones allow for movement over rough floors and hoses etc that maybe on the floor. The Filter rollout tray is mounted on rollers and does not require tools to remove the filters, they simply "Roll-Out" for easy maintenance with the release of a handle.

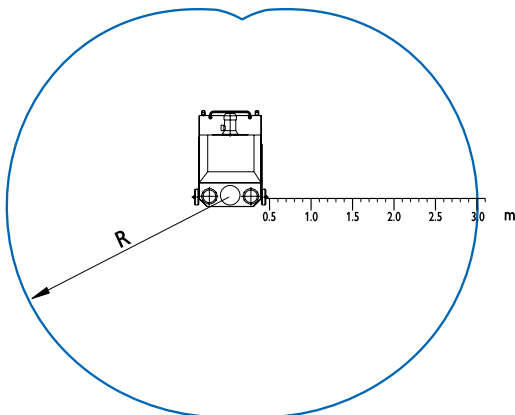
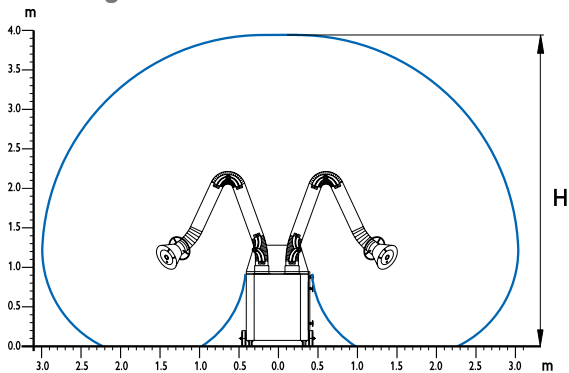
Construction Features

- Heavy Duty welded construction
- Heavy Duty Wheels and Swivel Castors
- Full Width handle for ease of movement
- Easy access to filters
- Low Center of Gravity to prevent tipping
- Built in Spark trap
- 20l compressed air tank
- 2,2kW Motor
- Multiple motor voltages available
- Thermal overload for motor

Performance Features

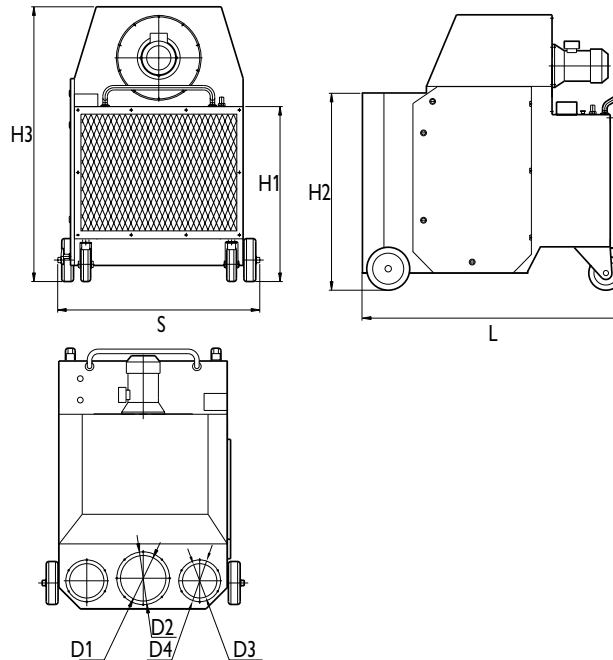
- Recommended optionally supplied standard arm sizes
Arm Option 1: 2 x 160mm (2,3,4m)
Arm Option 2: 1 x 200mm (2,3m)
- 3 Stage filtration
Stage 1: (1) Metal Mesh Filter
Stage 2: (1) Polyester Spun Bond Cartridge
Stage 3: (1) Carbon after Filter
- 99% @ 1micron Filter Efficiency
- 85dB(a) level @ 1m
- Manual pulse cleaning

Working Area



Working area (with arms 1630P).

Dimensions



Dimensions	Unit	
L	[in] / [mm]	34.92 / 1210
S	[in] / [mm]	29.21 / 940
H1	[in] / [mm]	36.3 / 815
H2	[in] / [mm]	46.53 / 917
H3	[in] / [mm]	55.1 / 1282
D1	[in] / [mm]	6 / 160
D2	[in] / [mm]	7.68 / 195
D3	[in] / [mm]	7.9 / 200
D4	[in] / [mm]	9.69 / 246
H (for 2030P)	[ft.] / [m]	13 / 3,95
R (for 2030P)	[ft.] / [m]	9.2 / 2,8

Technical Data

GIANT		
Airflow with arm*	[cfm] / [m³/h]	1500 / 2000
Weight 1 (without arm)	[lb] / [kg]	386 / 175
Weight 2 (with arm 1630P)	[lb] / [kg]	430 / 195
Motor power supply (voltage)	[V] / ph / [Hz]	380 / 3 / 50
Motor power	[HP] / [kW]	3.0 / 2.2
Waste drawer	[Gallons] / [l]	6.7 / 30
Filters:		
Preliminary (metal mesh)	[in] / [mm]	21x17x0.8 / 540x440x20
Cartridge (2 pcs)	[in] / [mm]	12.8x26 / 325x660
At outlet (carbon)	[in] / [mm]	28x21x0.8 / 720x540x20

* with fume arm (2030P), clean cartridge

Giant